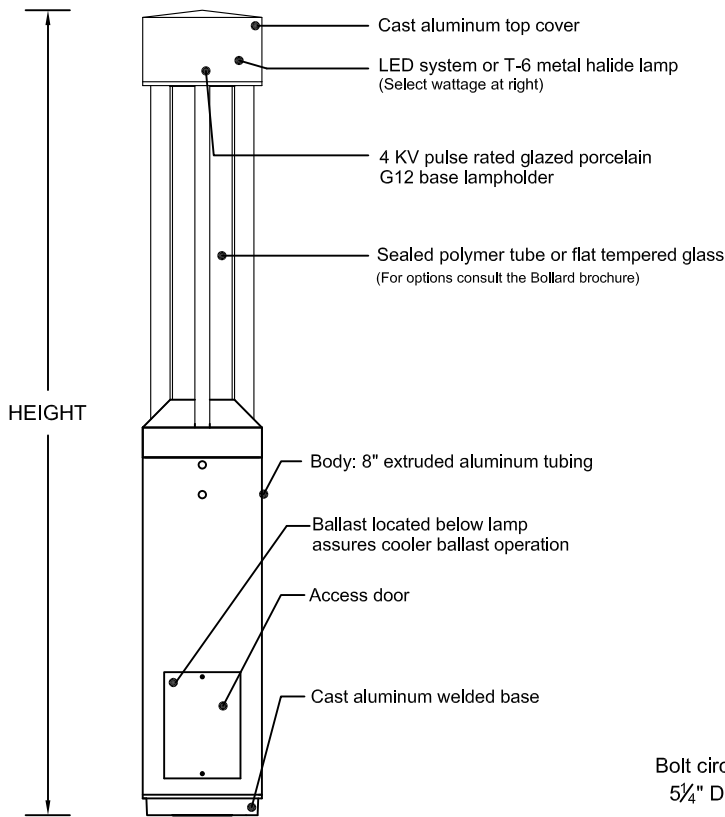
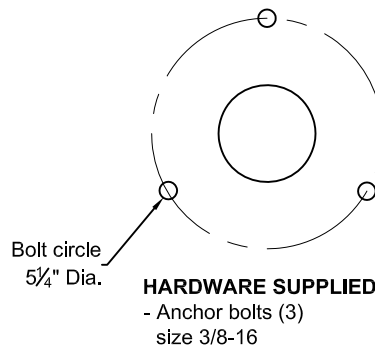


B2 SERIES BOLLARD



ANCHORING INFORMATION



ORDERING GUIDE

ENTER A DESCRIPTION OF THE LIGHTING OPTIONS YOU NEED. SNOG WILL COMPOSE THE RIGHT CAT. No. FOR YOU. OR YOU MAY ENTER THE DESCRIPTION AND THE ORDERING CODE. CONSULT THE SNOG BROCHURE FOR THE OPTIONS AND THE ASSOCIATED ORDERING CODE.

	DESCRIPTION	CODE
MODEL	BOLLARD 2	B2
HEIGHT	__ inches	<input type="text"/>
LAMP WATTAGE	__ watts	<input type="text"/>
SOURCE (LED/MH)	_____	<input type="text"/>
INPUT VOLTS	__ volts	<input type="text"/>
OPTICAL SYSTEM	-	<input type="text"/>
LAMPHOLDER SIZE	-	<input type="text"/>
DISTRIBUTION TYPE	Type _	<input type="text"/>
TUBE OR GLASS	-	<input type="text"/>
FINISH	-	<input type="text"/>
OPTIONS	-	<input type="text"/>

DESCRIPTION

1-MECHANICAL

The BOLLARD2 Series luminaires are manufactured with cast aluminum components that resist oxidation. All solid and antique finishes are polyester base UV treated outdoor powder coat paint. The polymer tube or the flat tempered glass are fully gasketed to prevent entry of water and insects. The ballast is mounted below the lamp for cooler operation and longer ballast life.

2-ELECTRICAL

Standard ballasts are high power factor and electronic type for metal halide lamps. Ballast components are mounted on a single plate and wired to a quick disconnect plug for fast, easy removal. Standard voltages are 120V to 277V (347V option available). For other ballast types and/or voltages, consult factory. G12 base pulse rated glazed porcelain lampholders have excellent durability in outdoor applications.

3-OPTICAL

The BOLLARD2 Series luminaires use reflector optics to direct a variety of light distribution types. Selections with reflector optics in the hat produce cutoff distributions for those applications where low glare and minimal upward illumination is preferred. Refer to the BOLLARD brochure for additional information.

4-OPTIONS

Standard options include fusing, photocell control and surface receptacle. For other special requirements consult factory.

5-WARRANTY

- Paint: Exterior powder coat finish is guaranteed for five (5) years against peeling.
- Ballast: Snoc abides by all warranties offered by the ballast manufacturer.
- Cast components: Snoc guarantees availability of all parts for twenty (20) years.

6-CERTIFICATION: All Snoc luminaires conform to applicable UL and CSA standards.

CAT. No.: B2
 PROJECT: _____ CUSTOMER: _____
 DATE: _____ QUANTITY: _____ SALES REP.: _____
 SPECIFIER: _____ QUOTATION #: _____



SNOC Inc.
 17200 Centrale, St. Hyacinthe
 Quebec, Canada J2T 4J7
 Phone: 1-450-774-5238
 Toll Free: 1-800-461-7662
 Fax: 1-450-774-1954
 Email: info@snoc.net
 Web site: www.snocinc.com